

Keypad Surface Mount - vertical orientation

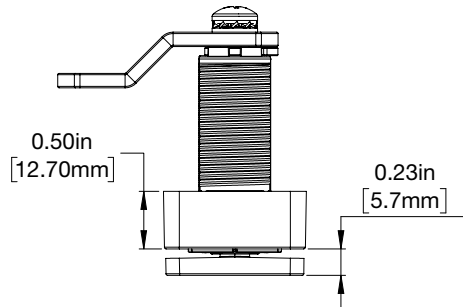
A versatile electronic keypad designed to effortlessly secure day-use or private-use lockers. With multiple configurations, Sola 3 easily adapts to new or retrofit installations.

- Keypad operation
- Cam locking mechanism
- Manage with electronic keys or code
- Dual functionality – shared or assigned use
- Management override and power bypass
- All metal housing
- Brushed nickel or black finish
- Vertical orientation – knob on the bottom
- Surface mount
- Designed for new or retrofit installations
- Multiple options for cam type and cylinder length
- 90° or 180° knob rotation (clockwise or counter-clockwise)
- Adapts to multiple door thickness
- Visual and audible indicators

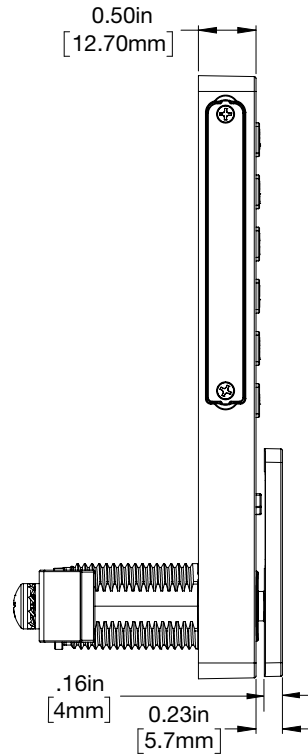


- IP55 rated
- Powered by 2 premium lithium CR2450 batteries
- Battery Life: 180,000 cycles with average use
- Up to 5 year warranty

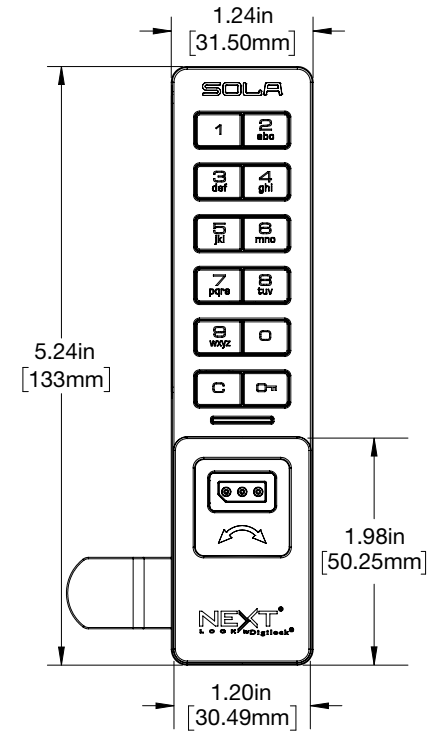
Top View



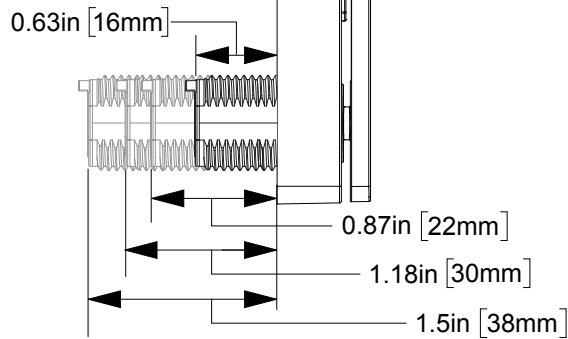
Side View



Front View

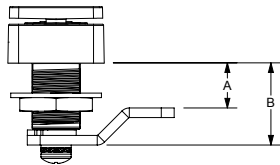


Cylinder Length



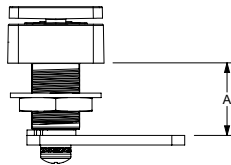
Cam Options

Offset Cam



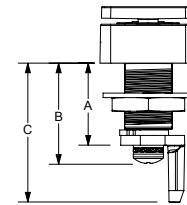
	16MM CYLINDER	22MM CYLINDER	30MM CYLINDER	38MM CYLINDER
A	0.35in (8.92mm)	0.59in (14.92mm)	0.90in (22.92mm)	1.22in (30.92mm)
B	0.83in (21.18mm)	1.07in (27.18mm)	1.39in (35.18mm)	1.70in (43.18mm)

Flat Cam



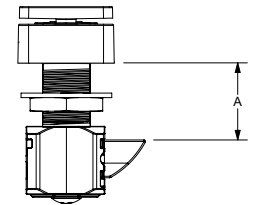
	16MM CYLINDER	22MM CYLINDER	30MM CYLINDER	38MM CYLINDER
A	0.71in (18mm)	0.94in (24mm)	1.26in (32mm)	1.57in (40mm)

Lifter Cam



	16MM CYLINDER	22MM CYLINDER	30MM CYLINDER	38MM CYLINDER
A	0.84in (21.25mm)	1.07in (27.25mm)	1.39in (35.25mm)	1.70in (43.25mm)
B	1.07in (27.25mm)	1.31in (33.25mm)	1.62in (41.25mm)	1.94in (49.25mm)
C	1.58in (40.16mm)	1.82in (46.16mm)	2.13in (54.16mm)	2.45in (62.16mm)

Slam Latch



	16MM CYLINDER	22MM CYLINDER	30MM CYLINDER	38MM CYLINDER
A	0.78in (19.70mm)	1.01in (25.70mm)	1.33in (33.70mm)	1.64in (41.70mm)

Keypad Surface Mount - horizontal orientation

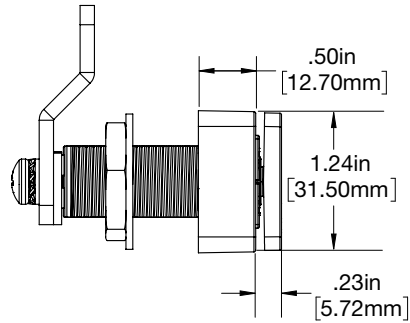
A versatile electronic keypad designed to effortlessly secure day-use or private-use lockers. With multiple configurations, Sola 3 easily adapts to new or retrofit installations.

- Keypad operation
- Cam locking mechanism
- Manage with electronic keys or code
- Dual functionality – shared or assigned use
- Management override and power bypass
- All metal housing
- Brushed nickel or black finish
- Horizontal orientation – knob on the left or right
- Surface mount
- Designed for new or retrofit installations
- Multiple options for cam type and cylinder length
- 90° or 180° knob rotation (clockwise or counter-clockwise)
- Adapts to multiple door thickness
- Visual and audible indicators

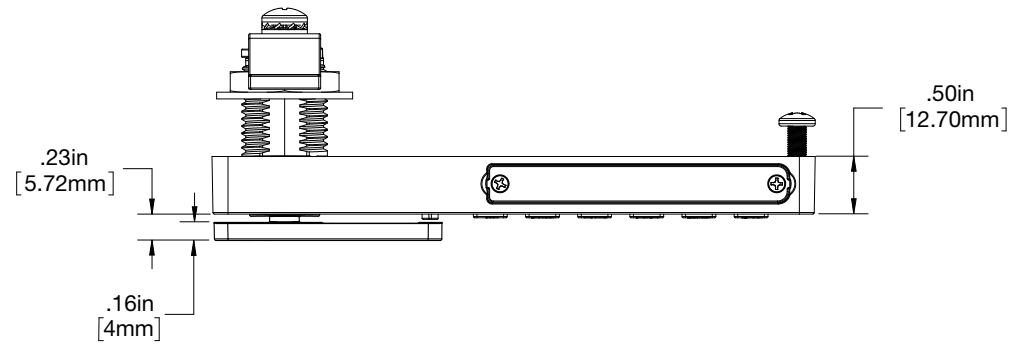


- IP55 rated
- Powered by 2 premium lithium CR2450 batteries
- Battery Life: 180,000 cycles with average use
- Up to 5 year warranty

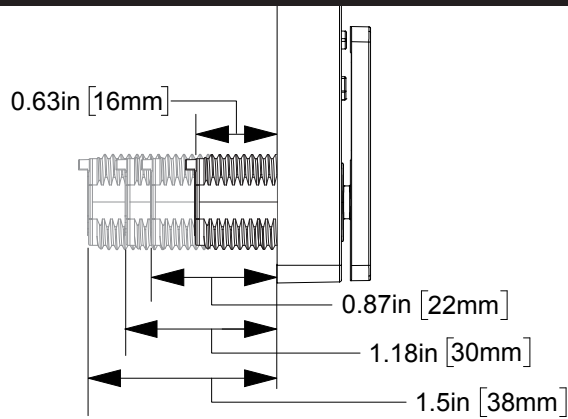
Side View



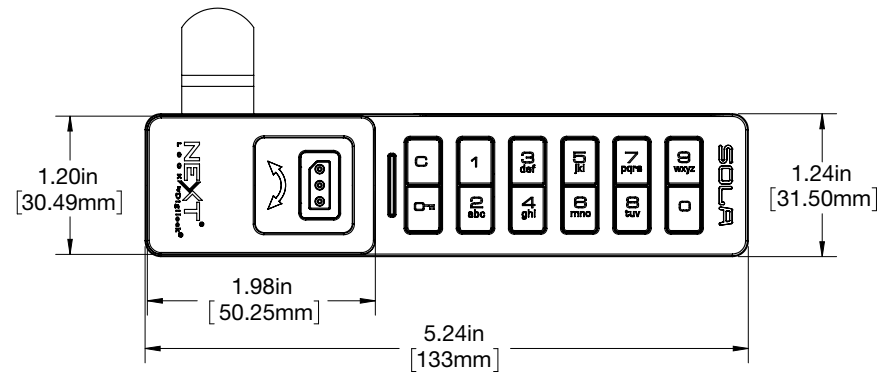
Top View



Cylinder Length

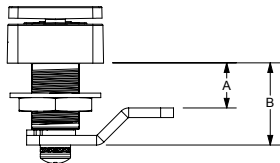


Front View



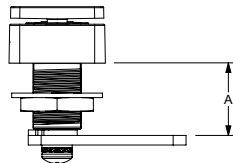
Cam Options

Offset Cam



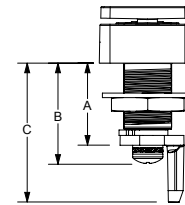
	16MM CYLINDER	22MM CYLINDER	30MM CYLINDER	38MM CYLINDER
A	0.35in (8.92mm)	0.59in (14.92mm)	0.90in (22.92mm)	1.22in (30.92mm)
B	0.83in (21.18mm)	1.07in (27.18mm)	1.39in (35.18mm)	1.70in (43.18mm)

Flat Cam



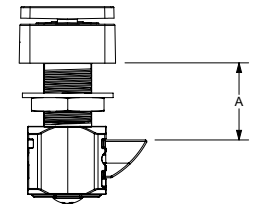
	16MM CYLINDER	22MM CYLINDER	30MM CYLINDER	38MM CYLINDER
A	0.71in (18mm)	0.94in (24mm)	1.26in (32mm)	1.57in (40mm)

Lifter Cam



	16MM CYLINDER	22MM CYLINDER	30MM CYLINDER	38MM CYLINDER
A	0.84in (21.25mm)	1.07in (27.25mm)	1.39in (35.25mm)	1.70in (43.25mm)
B	1.07in (27.25mm)	1.31in (33.25mm)	1.62in (41.25mm)	1.94in (49.25mm)
C	1.58in (40.16mm)	1.82in (46.16mm)	2.13in (54.16mm)	2.45in (62.16mm)

Slam Latch



	16MM CYLINDER	22MM CYLINDER	30MM CYLINDER	38MM CYLINDER
A	0.78in (19.70mm)	1.01in (25.70mm)	1.33in (33.70mm)	1.64in (41.70mm)